



Merkel Guide Ring Guivex SBK, KBK

Reliable guides for rods and pistons

simrit[®]

Simrit® , Your Global Technology Specialist for Seals and Vibration Control

Simrit, Your Global Technology Specialist for Seals and Vibration Control offers you a complete service package. A unique range of products and services guarantees you numerous advantages over the competition.

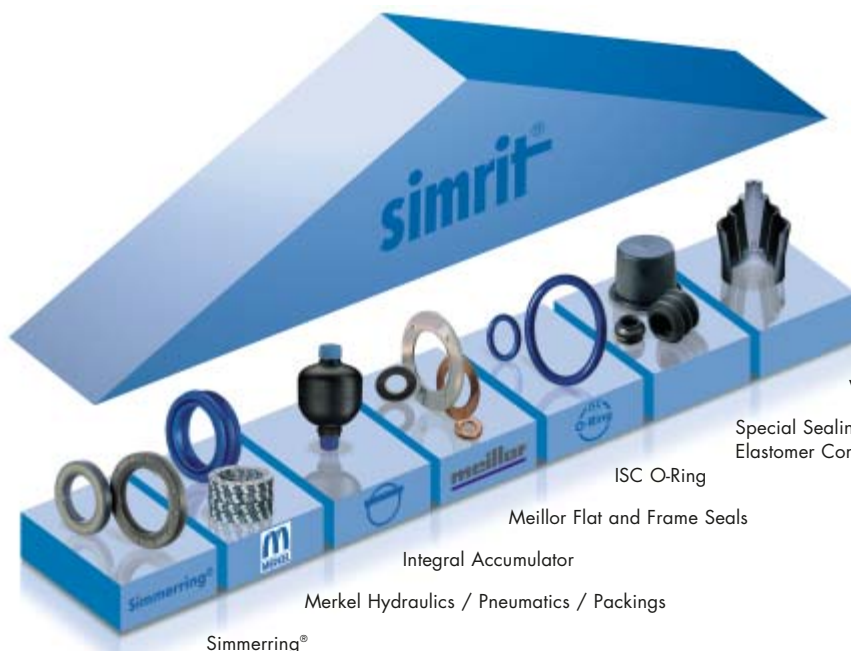
Simrit acts as a partner to general industry. Its position as a market leader is achieved through continuous research, development and manufacture. We have the world's widest range of seals and vibration control products, and can offer you solutions based on the demands of state-of-the-art-technology, solutions which set standards.

We can guarantee you a competitive edge based on experience all around the world: Simrit has a presence throughout Europe, America and Asia, either directly or through its affiliated companies NOK (Japan) or Freudenberg-NOK (USA). The transfer of knowledge between these markets is incorporated directly into the Simrit service package.

With our many Simrit Service Centres and Simrit distribution Partners, we serve and supply more than 100,000 customers worldwide. Our Simrit Partners ensure rapid availability from stock. This means spare parts quickly arrive when and where they are needed. There is a Simrit Partner near you as well.

Make the most of Simrit's service package and give yourself a real competitive edge:

- + The technological edge due to constant innovations
- + Savings in cost and time by using a single source for a uniquely wide range of products
- + Increased efficiency, using Simrit's material expertise to extend the service life of your components
- + The competitive edge due to our wide range of value added services



Simrit offers a complete package of products and services, including leading brands such as Simmerring®, Merkel, Integral Accumulator, Meillor and ISC O-Ring.

Vibration Control

Special Sealing Products: Bellows, Diaphragms, Elastomer Composite Parts and Precision Mouldings

ISC O-Ring

Meillor Flat and Frame Seals

Integral Accumulator

Merkel Hydraulics / Pneumatics / Packings

Simmerring®

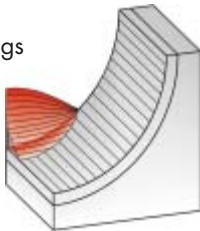
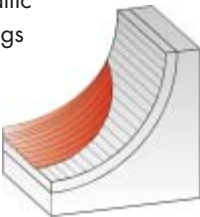
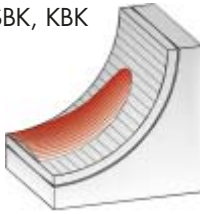
Stable under compressive load and flexible – perfected guide rings with an optimum material

Merkel Guide Rings Guivex for rod (SBK) and piston guides (KBK) in hydraulic cylinders are setting new standards. Thanks to the newly developed composite material HG 650 they provide an optimum balance between stability under compressive load and flexibility. Merkel Guide Rings Guivex therefore offer you technical as well as economic benefits compared with traditional solutions.

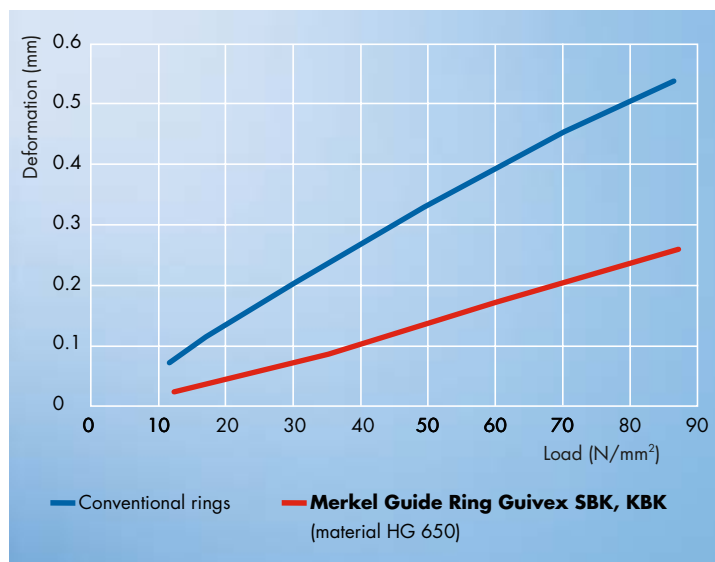
Maximum stability under compressive load and greater flexibility for fitting

With a permissible loading capacity of up to 80 N/mm² Merkel guide rings with their patented Guivex geometry can be clearly differentiated from thermoplastic materials and are an effective substitute for costly metal guides.

They reliably compensate for the side forces and deflections occurring in hydraulic cylinders. This avoids any seizure between metal parts and damage to the cylinder, even with high temperatures.

Contact stresses	
Bronze guide rings 	extremely high stress peaks at edge
Nonmetallic guide rings 	reduced stress peaks at edge
New Merkel Guide Rings Guivex SBK, KBK 	no stress peaks – Even load distribution

Merkel Guide Ring Guivex SBK, KBK (stability under compressive load at 100 °C)



Long-lasting and economical in many market sectors

Due to the special characteristics of their geometry and material Merkel Guide Rings Guivex SBK, KBK are suitable for many applications and benefit customers in particular due to their long service life.

Cost saving of up to 45 %

The Guivex geometry ensures uniform distribution of the lateral forces over the full width of the guide ring. The resulting increase in the radial loading capacity allows the designer to reduce the dimensions of the guide rings. The number of rings used can also be reduced. A significant economic advantage.

A longer service life

Flexible, stable under compressive load and economical – Merkel Guide Rings Guivex represent an optimum combination of brand quality and efficiency. The introduction of hydraulic oil between the guide ring and contact area encouraged by the stress distribution in the contact zone results in a reduction in overall friction and wear. This has a positive effect on the service life of the cylinder as a whole.

Applications

Merkel Guide Rings Guivex for rods and pistons are used for general applications involving heavy-duty and mobile

hydraulics where safety, rapid fitting as well as economic advantage are very important.

Material

Diameter range	Material	Designation
up to 300 mm	Plastic fabric with duroplastic resin matrix	HG 650
> 300 mm	Plastic fabric impregnated with polyester	HG 600

Operating limits

Medium	Temperature Material HG 650/HG 600
Hydraulic oils HL, HLP	-40 °C to +100 °C
HFA, HFB liquids	-5 °C to +60 °C
HFC liquids	-40 °C to +60 °C
HFD liquids	-40 °C to +100 °C
Water	+5 °C to +60 °C
HETG (rape seed oil)	-40 °C to +80 °C
HEES (synth. ester)	-40 °C to +100 °C
HEPG (glycol)	-40 °C to +80 °C
Mineral greases	-40 °C to +100 °C

Loads of 80 N/mm² or temperatures up to +100 °C are permissible subject to monitoring of the other operating conditions (both limit values should not be exploited simultaneously). The permissible load for the guide ring is calculated from the projected area multiplied by the permissible specific surface pressure. This calculation does not include the nonlinear compression occurring over the contact area which results according to the load, temperature and manufacturing tolerances.

Running speed

1 m/s

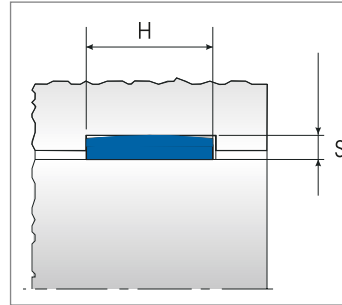
Design information

Tolerance recommendation SBK		
	DF	DF 1
d<500	H8	H8
d>500	H7	H8

Tolerance recommendation KBK		
	dF	dF 1
D<500	h8	h8
D>500	h7	h8

Tolerance strip thickness S
-0.01 ... -0.06

H	Tolerance
4 – 10	-0.2
>10 – 20	-0.3
>20 – 30	-0.4
>30 – 40	-0.5



Gap width

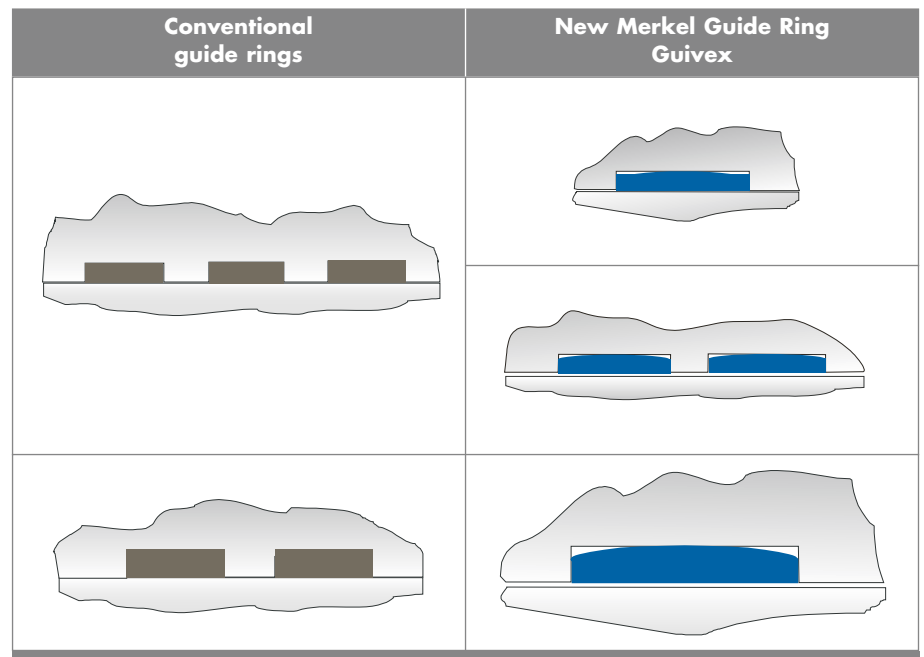
The diameter dF1 specified in the table of dimensions should be seen solely in relation to the guide ring. The corresponding diameter of an adjacent seal space should be selected according to sealing component.

The specified tolerances are guide values. Use of the guide and the determination of tolerances should be viewed in relation to the seal used. If the permissible X_2 values (see also Simrit catalogue Techn. Fundamentals 4.20 and following items) are exceeded, closer tolerances must be used for the diameter dF.

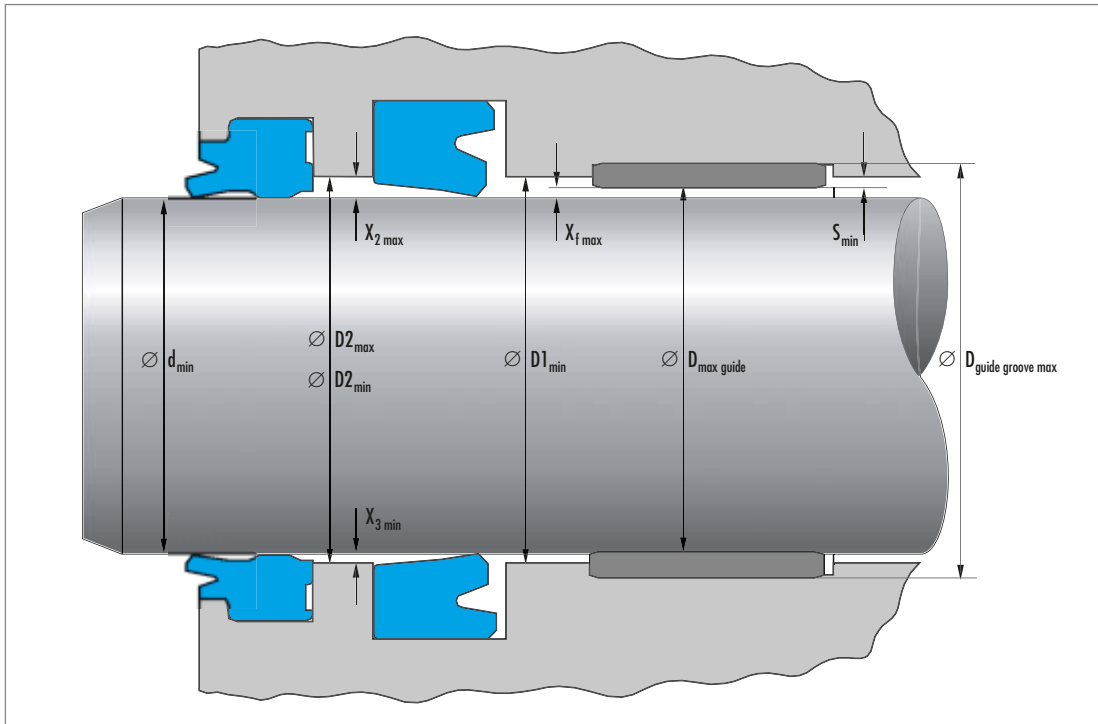
Installation examples

Not more than two Merkel Guide Rings Guivex SBK/KBK should be installed next to each other.

If two rings are used, they should have an identical "L" dimension.



Consideration of limit values and calculation of extrusion gap Rod seal



Designation of specified dimensions:

$D2_{max}$	= maximum bore diameter after seal
$D2_{min}$	= minimum bore diameter after seal
$D_{guide\ groove\ max}$	= maximum outer groove diameter of guide strip groove
d_{min}	= minimum rod diameter
S_{min}	= minimum guide strip thickness
$D1_{min}$	= minimum bore diameter before seal (see guide elements) $D1_{min} > D2_{max}$

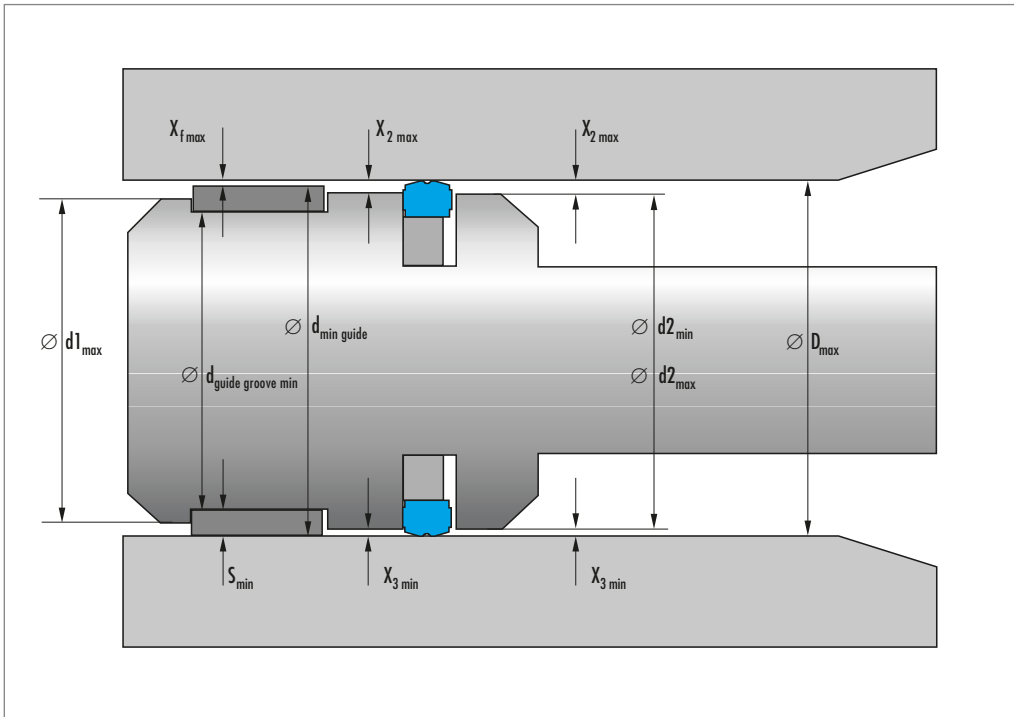
Designation of calculated dimensions:

$D_{max\ guide}$	= maximum guide diameter
$x_{f\ max}$	= maximum guide play
$x2_{max}$	= maximum gap on non-pressurised side of sealing component
$x3_{min}$	= minimum difference between guide and rod

Calculation

- $D_{max\ guide} = D_{guide\ groove\ max} - (2 \cdot S_{min})$
- $x_{f\ max} = D_{max\ guide} - d_{min}$
- $x2_{max} = (D2_{max} - d_{min})/2 + x_{f\ max}/2$
- $x3_{min} = (D2_{min} - D_{max\ guide})/2$
- $D2_{max} = d_{min} + 2 \cdot x2_{max} - x_{f\ max}$

Consideration of limit values and calculation of extrusion gap Piston seal



Designation of specified dimensions:

- $d2_{max}$ = minimum piston diameter after seal
- $d2_{min}$ = maximum piston diameter after seal
- $d_{guide\ groove\ min}$ = minimum inside groove diameter of guide strip groove
- D_{max} = maximum bore diameter
- S_{min} = minimum guide strip thickness
- $d1_{max}$ = (see guide elements) $d1_{max} > d2_{min}$

Designation of calculated dimensions:

- $d_{min\ guide}$ = minimum guide diameter
- $x_{f\ max}$ = maximum guide play
- $x_{2\ max}$ = maximum gap on non-pressurised side of sealing component
- $x_{3\ min}$ = minimum difference between guide and piston

Calculation

1. $d_{min\ guide} = D_{guide\ groove\ min} - (2 \cdot S_{min})$
2. $x_{f\ max} = D_{max\ guide} - d_{min\ guide}$
3. $x_{2\ max} = (D_{max} - d2_{min})/2 + x_{f\ max}/2$
4. $x_{3\ min} = (d_{min\ guide} - d2_{max})/2$
5. $d2_{min} = D_{max} + x_{f\ max} - 2 \cdot x_{2\ max}$

Comments regarding consideration of limit values

The permissible gap dimension $x_{2\ max}$ on the non-pressurised side of the sealing component is specified in the model descriptions of our sealing components. To prevent seizure between the metal of the piston and cylinder, or rod and gland assembly, a minimum difference $x_{3\ min}$ between the guide and rod/piston is necessary.

The values specified in the table given below apply with maximum exploitation of the max. permissible specific surface pressure of the guide element used.

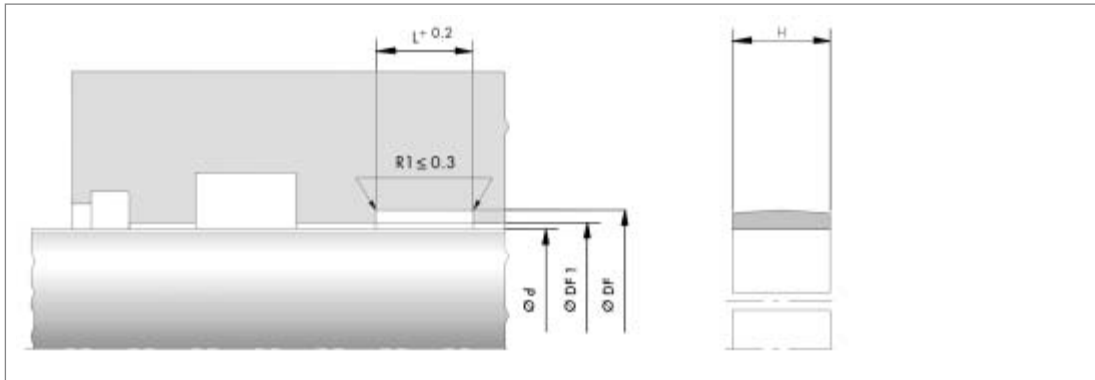
If the maximum permissible specific surface pressure of the guide element used is not exploited to the full, the reduced deflection of the guide element provides for smaller $x_{3\ min}$ dimensions.

Merkel Guide Ring Guivex SBK, KBK	
$x_{3\ min}$	0.10 mm
Temperature	-30 °C bis +100 °C
Tolerance (S)	-0.01 bis -0.06

We however recommend using the specified values for your calculations as in practice the lateral forces occurring vary widely and the guide play is increased by wear.

For calculation of the limit values a calculation program is available; it can be requested by sending an e-mail to info@simrit.de.

Article list Merkel Guide Ring Guivex SBK



d	DF	DF 1	L	H	Profile	Article No.	
						Material HG 650	Material HG 600
30	33	31.0	9.7	9.5	1.5	49006028	–
30	35	31.6	9.7	9.5	2.5	49006029	–
32	35	33	15	14.8	1.5	49006202	–
32	37	33.6	9.7	9.5	2.5	49006203	–
36	41	37.6	9.7	9.5	2.5	49006204	–
40	45	41.6	9.7	9.5	2.5	49006608	–
40	45	41.6	15	14.8	2.5	49006206	–
45	50	46.6	9.7	9.5	2.5	49006207	–
45	50	46.6	15	14.8	2.5	49006208	–
50	55	51.6	9.7	9.5	2.5	49001908	–
50	55	51.6	15	14.8	2.5	49006209	–
55	60	56.6	9.7	9.5	2.5	49001907	–
55	60	56.6	15	14.8	2.5	49006210	–
56	61	57.6	9.7	9.5	2.5	49006211	–
60	65	61.6	9.7	9.5	2.5	49002920	–
60	65	61.6	15	14.8	2.5	49002006	–
60	68	62.5	15	14.8	4	49005283	–
63	68	64.6	9.7	9.5	2.5	49006212	–
63	68	64.6	15	14.8	2.5	49006213	–
65	70	66.6	9.7	9.5	2.5	49006214	–
65	70	66.6	15	14.8	2.5	49006215	–
70	75	71.6	9.7	9.5	2.5	49006216	–
70	75	71.6	15	14.8	2.5	49002007	–
75	80	76.6	9.7	9.5	2.5	49006217	–
75	80	76.6	15	14.8	2.5	49006218	–
80	85	81.6	9.7	9.5	2.5	49006219	–
80	85	81.6	15	14.8	2.5	49002010	–
85	90	86.6	9.7	9.5	2.5	49006220	–
85	90	86.6	15	14.8	2.5	49006221	–
90	95	91.6	9.7	9.5	2.5	49006222	–
90	95	91.6	15	14.8	2.5	49002008	–
90	95	91.6	25	24.5	2.5	49006223	–
95	100	96.6	9.7	9.5	2.5	49006224	–
95	100	96.6	15	14.8	2.5	49006225	–

Guide rings for L dimension 5.6 mm are available as model SB (rectangular cross section). Further information on enquiry.

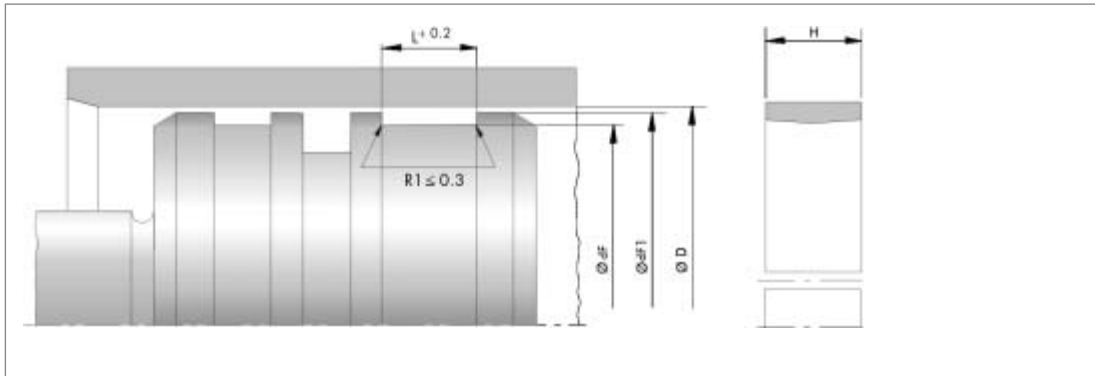
d	DF	DF 1	L	H	Profile	Article No.	
						Material HG 650	Material HG 600
100	105	101.6	9.7	9.5	2.5	49006226	-
100	105	101.6	15	14.8	2.5	49006227	-
105	110	106.6	9.7	9.5	2.5	49006228	-
105	110	106.6	15	14.8	2.5	49006229	-
110	115	111.6	9.7	9.5	2.5	49006230	-
110	115	111.6	15	14.8	2.5	49006231	-
110	115	111.6	25	24.5	2.5	49002009	-
110	118	112.5	9.7	9.5	4	49009506	-
115	120	116.6	15	14.8	2.5	49006232	-
120	125	121.6	9.7	9.5	2.5	49006233	-
120	125	121.6	15	14.8	2.5	49006234	-
125	130	126.6	9.7	9.5	2.5	49006235	-
125	130	126.6	15	14.8	2.5	49006236	-
125	130	126.6	25	24.5	2.5	49006237	-
130	135	131.6	15	14.8	2.5	49006238	-
135	140	136.6	15	14.8	2.5	49006239	-
140	145	141.6	9.7	9.5	2.5	49006240	-
140	145	141.6	9.7	9.5	2.5	49009456	-
140	145	141.6	15	14.8	2.5	49006241	-
140	145	141.6	25	24.5	2.5	49006242	-
145	150	146.6	15	14.8	2.5	49006243	-
150	155	151.6	15	14.8	2.5	49006244	-
155	160	156.6	15	14.8	2.5	49006245	-
160	165	161.6	9.7	9.5	2.5	49006246	-
160	165	161.6	15	14.8	2.5	49006247	-
160	165	161.6	25	24.5	2.5	49006248	-
170	175	171.6	15	14.8	2.5	49006250	-
170	175	171.6	25	24.5	2.5	49006249	-
180	185	181.6	9.7	9.5	2.5	49006251	-
180	185	181.6	15	14.8	2.5	49006253	-
180	185	181.6	25	24.5	2.5	49006252	-
190	195	191.6	15	14.8	2.5	49006254	-
200	205	201.6	15	14.8	2.5	49006259	-
200	205	201.6	25	24.5	2.5	49006258	-
210	215	211.6	15	14.8	2.5	49006260	-
220	225	221.6	15	14.8	2.5	49006281	-
220	225	221.6	25	24.5	2.5	49006282	-
230	235	231.6	15	14.8	2.5	49006283	-
230	235	231.6	25	24.5	2.5	49006284	-
240	245	241.6	15	14.8	2.5	49006285	-
250	255	251.6	15	14.8	2.5	49006286	-
250	255	251.6	25	24.5	2.5	49006287	-
270	275	271.6	25	24.5	2.5	49006288	-
280	285	281.6	15	14.8	2.5	49006290	-
280	285	281.6	25	24.5	2.5	49006289	-

d	DF	DF 1	L	H	Profile	Article No.	
						Material HG 650	Material HG 600
290	298	292.5	25	24.5	4	49006291	-
300	308	302.5	40	39.5	4	-	24379155
310	315	311.6	25	24.5	2.5	-	49009463
310	318	312.5	25	24.5	4	-	24379039
320	325	321.6	25	24.5	2.5	-	24380272
320	328	322.5	25	24.5	4	-	24379076
320	328	322.5	30	29.5	4	-	00528486
320	328	322.5	40	39.5	4	-	00532132
330	338	332.5	25	24.5	4	-	24379040
335	340	336.6	25	24.5	2.5	-	49008971
350	358	352.5	25	24.5	4	-	24379041
360	365	361.6	25	24.5	2.5	-	24380275
360	368	362.5	25	24.5	4	-	24375318
360	368	362.5	40	39.5	4	-	00531873
370	378	372.5	25	24.5	4	-	24379042
370	378	372.5	35	34.5	4	-	49000975
380	385	381.6	25	24.5	2.5	-	00531516
380	388	382.5	25	24.5	4	-	24379138
380	388	382.5	40	39.5	4	-	24379245
390	395	391.6	25	24.5	2.5	-	24380276
400	405	401.6	30	29.5	2.5	-	00528993
400	408	402.5	25	24.5	4	-	24375319
400	408	402.5	40	39.5	4	-	00526027
420	425	421.6	25	24.5	2.5	-	00527921
420	428	422.5	25	24.5	4	-	24379043
420	428	422.5	40	39.5	4	-	24379322
429.6	434.6	431.2	40	39.5	2.5	-	49002743
440	448	442.5	20	19.8	4	-	24378391
440	448	442.5	25	24.5	4	-	24375320
440	448	442.5	40	39.5	4	-	00526028
445	450	446.6	15	14.8	2.5	-	49006960
445	453	447.5	40	39.5	4	-	49004008
450	458	452.5	25	24.5	4	-	24380453
450	458	452.5	40	39.5	4	-	49010449
460	465	461.6	25	24.5	2.5	-	49001818
460	468	462.5	25	24.5	4	-	24375321
465	473	467.5	40	39.5	4	-	49009447
495	503	497.5	40	39.5	4	-	49010396
500	508	502.5	20	19.8	4	-	24378392
500	508	502.5	25	24.5	4	-	24375322
500	508	502.5	40	39.5	4	-	24379324
510	515	511.6	25	24.5	2.5	-	49006851
510	518	512.5	25	24.5	4	-	00530266
520	528	522.5	40	39.5	4	-	49008972
530	538	532.5	25	24.5	4	-	24375323

Please note: guide strip supplied from diameter 300 mm.

d	DF	DF 1	L	H	Profile	Article No.	
						Material HG 650	Material HG 600
530	538	532.5	40	39.5	4	-	49004922
550	558	552.5	40	39.5	4	-	49005155
560	568	562.5	25	24.5	4	-	24375324
570	578	572.5	40	39.5	4	-	49009448
600	605	601.6	25	24.5	2.5	-	00528326
600	608	602.5	25	24.5	4	-	24375325
600	608	602.5	40	39.5	4	-	49003964
620	625	621.6	15	14.8	2.5	-	49006971
630	638	632.5	25	24.5	4	-	00524927
650	658	652.5	35	34.5	4	-	24378494
700	708	702.5	40	39.5	4	-	00529519
740	748	742.5	25	24.5	4	-	49000239
760	768	762.5	25	24.5	4	-	24380545
790	798	792.5	20	19.8	4	-	00531677
790	798	792.5	35	34.5	4	-	49003032
800	808	802.5	25	24.5	4	-	00526190
820	828	822.5	25	24.5	4	-	00528715
820	828	822.5	40	39.5	4	-	00528716
890	898	892.5	20	19.8	4	-	49003043
900	908	902.5	25	24.5	4	-	49006198
920	928	922.5	40	39.5	4	-	49008663
970	978	972.5	25	24.5	4	-	24376186
990	996.3	991.6	30	29.5	3.15	-	49004975
1100	1108	1102.5	35	34.5	4	-	00533289
1100	1108	1102.5	40	39.5	4	-	49007055
1130	1138	1132.5	25	24.5	4	-	00530019
1145	1153	1147.5	40	39.5	4	-	49002141
1340	1348	1342.5	40	39.5	4	-	00531144
1350	1358	1352.5	40	39.5	4	-	00531904
1375	1383	1377.5	15	14.8	4	-	49004708
1500	1508	1502.5	40	39.5	4	-	49006731
1625.6	1633.6	1628.1	40	39.5	4	-	00528780
1626	1634	1628.5	40	39.5	4	-	00527116

Article list Merkel Guide Ring Guivex KBK



D	dF	dF 1	L	H	Profile	Article No.	
						Material HG 650	Material HG 600
25	20	23.4	9.7	9.5	2.5	49005751	-
30	25	28.4	9.7	9.5	2.5	49005752	-
32	27	30.4	9.7	9.5	2.5	49005753	-
35	30	33.4	9.7	9.5	2.5	49005754	-
40	35	38.4	9.7	9.5	2.5	49005755	-
40	35	38.4	15	14.8	2.5	49005756	-
45	40	43.4	9.7	9.5	2.5	49005758	-
45	40	43.4	15	14.8	2.5	49005759	-
50	45	48.4	9.7	9.5	2.5	49005771	-
50	45	48.4	15	14.8	2.5	49005772	-
55	50	53.4	9.7	9.5	2.5	49005773	-
55	50	53.4	15	14.8	2.5	49005774	-
56	51	54.4	9.7	9.5	2.5	49005775	-
56	51	54.4	15	14.8	2.5	49005776	-
60	55	58.4	9.7	9.5	2.5	49005777	-
60	55	58.4	15	14.8	2.5	49005778	-
63	58	61.4	9.7	9.5	2.5	49005779	-
63	58	61.4	15	14.8	2.5	49005780	-
65	60	63.4	9.7	9.5	2.5	49005791	-
65	60	63.4	9.7	9.5	2.5	49005792	-
65	60	63.4	15	14.8	2.5	49005793	-
70	65	68.4	9.7	9.5	2.5	49005794	-
70	65	68.4	15	14.8	2.5	49005795	-
75	70	73.4	9.7	9.5	2.5	49005796	-
75	70	73.4	15	14.8	2.5	49005797	-
80	75	78.4	9.7	9.5	2.5	49002931	-
80	75	78.4	15	14.8	2.5	49005798	-
85	80	83.4	9.7	9.5	2.5	49005812	-
85	80	83.4	15	14.8	2.5	49005828	-
90	85	88.4	9.7	9.5	2.5	49005829	-
90	85	88.4	15	14.8	2.5	49005830	-
95	90	93.4	9.7	9.5	2.5	49005832	-
95	90	93.4	15	14.8	2.5	49005833	-
98	93	96.4	9.7	9.5	2.5	49005834	-

D	dF	dF 1	L	H	Profile	Article No.	
						Material HG 650	Material HG 600
100	95	98.4	9.7	9.5	2.5	49005835	-
100	95	98.4	15	14.8	2.5	49005581	-
105	100	103.4	9.7	9.5	2.5	49005836	-
110	105	108.4	9.7	9.5	2.5	49005838	-
110	105	108.4	15	14.8	2.5	49003729	-
115	110	113.4	15	14.8	2.5	49005839	-
125	120	123.4	9.7	9.5	2.5	49005841	-
125	120	123.4	15	14.8	2.5	49003232	-
125	120	123.4	25	24.5	2.5	49005842	-
130	125	128.4	9.7	9.5	2.5	49005843	-
130	125	128.4	15	14.8	2.5	49005844	-
130	125	128.4	25	24.5	2.5	49005845	-
135	130	133.4	9.7	9.5	2.5	49005846	-
135	130	133.4	15	14.8	2.5	49005847	-
140	135	138.4	9.7	9.5	2.5	49005899	-
140	135	138.4	15	14.8	2.5	49005900	-
140	135	138.4	25	24.5	2.5	49005898	-
150	145	148.4	15	14.8	2.5	49005911	-
160	155	158.4	9.7	9.5	2.5	49005912	-
160	155	158.4	15	14.8	2.5	49005913	-
160	155	158.4	25	24.5	2.5	49005914	-
170	165	168.4	15	14.8	2.5	49005915	-
170	165	168.4	25	24.5	2.5	49005916	-
180	175	178.4	9.7	9.5	2.5	49005917	-
180	175	178.4	15	14.8	2.5	49005918	-
190	185	188.4	25	24.5	2.5	49005919	-
190	185	188.4	25	24.5	2.5	49006011	-
200	195	198.4	9.7	9.5	2.5	49006013	-
200	195	198.4	15	14.8	2.5	49006012	-
215	210	213.4	15	14.8	2.5	49006014	-
220	215	218.4	9.7	9.5	2.5	49006015	-
220	215	218.4	15	14.8	2.5	49006016	-
225	220	223.4	25	24.5	2.5	49006017	-
230	225	228.4	9.7	9.5	2.5	49006018	-
230	225	228.4	15	14.8	2.5	49006019	-
240	235	238.4	15	14.8	2.5	49006021	-
240	235	238.4	25	24.5	2.5	49006020	-
250	245	248.4	9.7	9.5	2.5	49006022	-
250	245	248.4	15	14.8	2.5	49006023	-
260	255	258.4	25	24.5	2.5	49006024	-
280	275	278.4	15	14.8	2.5	49006025	-
280	275	278.4	25	24.5	2.5	49006026	-
300	295	298.4	15	14.8	2.5	-	49008915
300	295	298.4	25	24.5	2.5	-	24378787
310	302	307.5	40	39.6	4	-	24378053

Please note: guide strip supplied from diameter 300 mm.

D	dF	dF 1	L	H	Profile	Article No.	
						Material HG 650	Material HG 600
310	305	308.4	15	14.8	2.5	-	24380701
320	312	317.5	25	24.5	4	-	24379044
320	312	317.5	40	39.6	4	-	24378054
330	322	327.5	30	29.5	4	-	49004578
330	325	328.4	25	24.5	2.5	-	24379256
340	332	337.5	25	24.5	4	-	24379045
340	332	337.5	30	29.5	4	-	00528485
340	332	337.5	40	39.6	4	-	24378055
350	342	347.5	25	24.5	4	-	00530277
350	342	347.5	40	39.5	4	-	00533359
360	352	357.5	25	24.5	4	-	00531639
360	352	357.5	30	29.5	4	-	24379154
360	352	357.5	40	39.5	4	-	24378056
365	357	362.5	25	24.5	4	-	49006184
375	367	372.5	25	24.5	4	-	24379080
375	370	373.4	25	24.5	2.5	-	24378788
380	372	377.5	40	39.5	4	-	24378057
400	392	397.5	40	39.5	4	-	24378058
410	402	407.5	40	39.5	4	-	00531871
420	412	417.5	25	24.5	4	-	24379046
420	412	417.5	40	39.6	4	-	24378059
430	422	427.5	40	39.5	4	-	49003308
440	432	437.5	25	24.5	4	-	49002762
441	433	438.5	40	39.5	4	-	00532899
460	452	457.5	25	24.5	4	-	24379348
460	452	457.5	40	39.5	4	-	24379244
480	472	477.5	25	24.5	4	-	24379081
480	472	477.5	40	39.5	4	-	24378060
480	475	478.4	25	24.5	2.5	-	24378805
500	492	497.5	25	24.5	4	-	49002908
500	492	497.5	40	39.5	4	-	00531874
530	522	527.5	25	24.5	4	-	00530276
540	532	537.5	25	24.5	4	-	24379047
540	532	537.5	40	39.5	4	-	49010048
540	535	538.4	25	24.5	2.5	-	24378806
550	545	548.4	25	24.5	2.5	-	49006853
560	552	557.5	25	24.5	4	-	24377622
560	552	557.5	40	39.5	4	-	49002673
580	572	577.5	25	24.5	4	-	24379048
600	592	597.5	25	24.5	4	-	24377999
600	592	597.5	40	39.5	4	-	24379323
600	595	598.4	25	24.5	2.5	-	24378808
620	612	617.5	25	24.5	4	-	49004662
630	622	627.5	25	24.5	4	-	24379049
630	622	627.5	40	39.5	4	-	49002675

D	dF	dF 1	L	H	Profile	Article No.	
						Material HG 650	Material HG 600
640	632	637.5	25	24.5	4	-	00531869
650	642	647.5	40	39.5	4	-	49007593
680	672	677.5	25	24.5	4	-	00527133
680	672	677.5	40	39.5	4	-	49004923
680	675	678.4	25	24.5	2.5	-	00526191
690	685	688.4	15	14.8	2.5	-	49006972
700	692	697.5	25	24.5	4	-	24376187
700	692	697.5	35	34.5	4	-	49003965
710	702	707.5	40	39.5	4	-	49002676
740	732	737.5	35	34.5	4	-	24378498
760	752	757.5	40	39.5	4	-	24379321
800	792	797.5	20	19.8	4	-	49000238
800	792	797.5	25	24.5	4	-	24378000
840	832	837.5	25	24.5	4	-	49005727
850	842	847.5	25	24.5	4	-	00531637
865	857	862.5	20	19.8	4	-	00531678
865	857	862.5	40	39.5	4	-	49003031
950	942	947.5	25	24.5	4	-	24379050
965	957	962.5	25	24.5	4	-	49003044
1050	1042	1047.5	25	24.5	4	-	24376188
1150	1142	1147.5	25	24.5	4	-	49005725
1160	1152	1157.5	40	39.5	4	-	49002142
1200	1192	1197.5	25	24.5	4	-	00533290
1250	1242	1247.5	25	24.5	4	-	00530020
1280	1272	1277.5	40	39.5	4	-	49010857
1450	1442	1447.5	40	39.5	4	-	00531903
1500	1492	1497.5	25	24.5	4	-	49007299
1650	1642	1647.5	40	39.5	4	-	49006617

Guide rings for L dimension 5.6 mm are available as model KB (rectangular cross section). Further information is available upon enquiry.

Simrit, Your Global Technology Specialist for Seals and Vibration Control

Simrit Services

- Constant innovations
- Uniquely wide range of products
- Unique materials expertise
- A wide range of value added services

Your Benefits

- Technological edge
- All from one source
- Longer unit service life
- Competitive advantages, efficiency and lower costs

e. g. — Merkel Guide Ring Guivex SBK, KBK

Your Benefits

- High stability under compressive load
- Greater flexibility for fitting
- No edge breakage



Special Sealing Products: Bellows, Diaphragms,
Elastomer Composite Parts and Precision Mouldings

Headquarter:
Freudenberg Simrit KG
69465 Weinheim, Germany

Phone: +49 (0) 1805-Simrit
Phone: +49 (0) 1805-74 6748
Fax: +49 (0) 1803-74 6748
e-mail: info@simrit.de
www.simrit.com



ERIKS vestigingen Afdichtingstechniek

Alkmaar

Toermalijnstraat 5
1812 RL Alkmaar
T (072) 514 15 14
F (072) 515 56 45
E info@eriks.nl

Deventer

Teugseweg 27
7418 AM Deventer
T (0570) 62 46 16
F (0570) 62 57 02
E info@ertbv.com

ERIKS Servicecenters

Alkmaar

Saffierstraat 3
1812 RM Alkmaar
T (072) 514 17 17
F (072) 514 16 25
E esc.alkmaar@eriks.nl

Almelo

Plesmanweg 12
7602 PE Almelo
T (0546) 87 30 70
F (0546) 87 32 68
E almelo@eriks.nl

Amsterdam

Dynamostraat 46-48
1014 BK Amsterdam-Westpoort
T (020) 448 96 10
F (020) 613 77 65
E amsterdam@eriks.nl

Arnhem

Pieter Calandweg 46
6827 BK Arnhem
T (026) 362 92 44
F (026) 361 00 63
E arnhem@eriks.nl

Bergen op Zoom

Van Konijnenburgweg 44 b
4612 PL Bergen op Zoom
T (0164) 27 55 44
F (0164) 27 55 49
E bergenopzoom@eriks.nl

Delfzijl

Deltaweg 30
9936 HK Farmsum
T (0596) 63 38 20
F (0596) 63 38 29
E delfzijl@eriks.nl

Den Haag / Marofra

Neckar 2
2491 BD Den Haag
T (070) 381 84 84
F (070) 381 84 36
E denhaag@eriks.nl

Doetinchem

Havenstraat 55
7005 AG Doetinchem
T (0314) 34 37 20
F (0314) 34 37 41
E doetinchem@eriks.nl

Ede

Galvanistraat 34
6716 AE Ede
T (0318) 43 96 14
F (0318) 64 01 04
E ede@eriks.nl

Eerbeek

Loubergweg 19
6961 EJ Eerbeek
T (0313) 67 95 00
F (0313) 65 47 68
E eerbeek@eriks.nl

Eindhoven

De Witbogt 22 a
5652 AG Eindhoven
T (040) 291 19 00
F (040) 291 19 09
E eindhoven@eriks.nl

Emmen

Willem Schoutenstraat 11 b
7825 VV Emmen
T (0591) 66 80 00
F (0591) 66 80 06
E emmen@eriks.nl

Hengelo

Hassinkweg 16
7556 BV Hengelo
T (074) 291 57 57
F (074) 291 59 39
E hengelo@eriks.nl

Hoorn

De Factorij 35 d
1689 AK Zwaag
T (0229) 21 28 82
F (0229) 21 93 74
E hoorn@eriks.nl

Gouda

Marconistraat 117
2809 PG Gouda
T (0182) 33 11 60
F (0182) 37 82 02
E gouda@eriks.nl

Groningen

Rouaanstraat 8
9723 CD Groningen
T (050) 368 49 99
F (050) 368 49 98
E groningen@eriks.nl

Leeuwarden

James Wattstraat 19
8912 AS Leeuwarden
T (058) 215 05 87
F (058) 215 85 16
E leeuwarden@eriks.nl

Maastricht

Amerikalaan 28
6199 AE Maastricht-Airport
T (043) 604 91 80
F (043) 363 87 28
E maastricht@eriks.nl

Rijnmond

Shannonweg 33, Haven 5079
3197 LG Rotterdam-Botlek
T (010) 231 34 00
F (010) 296 96 18
E rijnmond@eriks.nl

Roermond

Ada Byronweg 11
6045 GM Roermond
T (0475) 37 22 70
F (0475) 37 23 05
E roermond@eriks.nl

Tilburg

Ellen Pankhurststraat 9
5032 MD Tilburg
T (013) 571 45 61
F (013) 570 06 42
E tilburg@eriks.nl

Zwolle

Ampèrestraat 27
8013 PT Zwolle
T (038) 467 29 20
F (038) 467 29 29
E zwolle@eriks.nl



www.eriks.nl

kennis maakt het verschil

ERIKS